

DH-IPC-HFW5300C/5302C

3Megapixel Full HD Network IR-Bullet Camera



Features

- 1/3" 3Megapixel progressive scan Aptina CMOS
- H.264 & MJPEG dual-stream encoding
- Max 20fps@3M(2048×1536)&25/30fps@1080P(1920×1080)
- DWDR, Day/Night(ICR), 3DNR, Auto iris, AWB, AGC, BLC
- Multiple network monitoring: Web viewer, CMS(DSS/PSS) & DMSS
- 2.7 ~12mm varifocal lens (HFW5300C)
3 ~9mm varifocal motorized lens (HFW5302C)
- Built-in 2/1 alarm in/out
- Max. IR LEDs length 30m
- Micro SD memory, IP66, PoE

DH-IPC-HFW5300C/5302C

Specifications

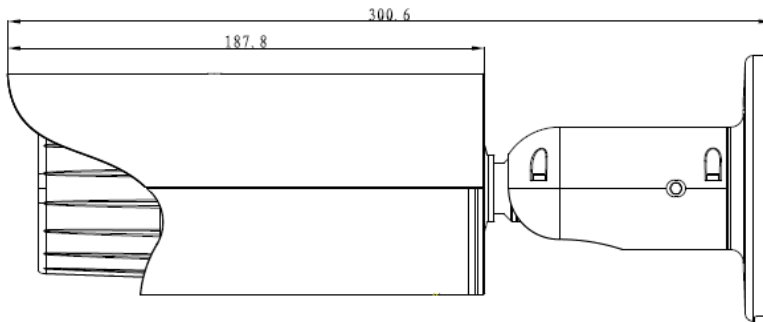
Model	IPC-HFW5300C		IPC-HFW5302C
Camera			
Image Sensor	1/3" 3Megapixel Aptina CMOS		
Effective Pixels	2048(H)x1536(V)		
Scanning System	Progressive		
Electronic Shutter Speed	Auto/Manual, 1/3~1/10000s		
Min. Illumination	Color: 0.01Lux/F1.2, 0Lux/F1.2(IR on)		
S/N Ratio	More than 50dB		
Video Output	1 channel, BNC(1.0Vp-p/75Ω)		
Camera Features			
Max. IR LEDs Length	30m		
Day/Night	Auto(ICR)/Color/B/W		
Backlight Compensation	BLC / HLC / DWDR		
White Balance	Auto/Manual		
Gain Control	Auto/Manual		
Noise Reduction	3D		
Privacy Masking	Up to 4 areas		
Lens			
Focal Length	2.7~12mm	3~9mm motorized	
Max Aperture	F1.4		
Focus Control	Manual	Auto	
Angle of View	H: 82°(Wide)~ 25°(Tele)		H: 86.5°(Wide)~ 28.6°(Tele)
Lens Type	Manual/Auto Iris(DC)		Motorized /Auto Iris(DC)
Mount Type	Board-in Type		
Video			
Compression	H.264 / MJPEG		
Resolution	3M(2048×1536)/1080P(1920×1080) / 720P(1280×720) / D1(704×576) / CIF(352×288) /		
Frame Rate	Main Stream	3M(1~20fps)/1080P/720P(1 ~ 25/30fps)	
	Sub Stream	D1/CIF(1 ~ 25/30fps)	
Bit Rate	H.264: 32K ~ 8192Kbps		
Audio			
Compression	G.711a / G.711u/ PCM		
Interface	1/1 channel In/Out		
Network			
Ethernet	RJ-45 (10/100Base-T)		
Wi-Fi	N/A		
Protocol	IPv4/IPv6, HTTP, HTTPS, SSL, TCP/IP, UDP, UPnP, ICMP, IGMP, SNMP, RTSP, RTP, SMTP, NTP, DHCP, DNS, PPPOE, DDNS, FTP, IP Filter, QoS, Bonjour		
ONVIF	ONVIF Profile S		

DH-IPC-HFW5300C/5302C

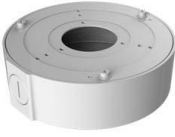

Max. User Access	20 users
Smart Phone	iPhone, iPad, Android, Windows Phone
Auxiliary Interface	
Memory Slot	Micro SD, Max 64GB
RS485	N/A
Alarm	2/1 channel In/Out
PIR Sensor Range	N/A
General	
Power Supply	DC12V(AC 24V optional), PoE(802.3af)
Power Consumption	< 7W (-H: +2W, Motorized lens: +2W,AC24V:+2W)
Working Environment	-20°C~+60°C(-H: -40°C~+60°C), Less than 90%RH
Ingress Protection	IP66
Vandal Resistance	N/A
Dimensions	φ104mm × 306.7mm
Weight	1.25Kg

DH-IPC-HFW5300C/5302C

Dimensions (mm)



Accessory (optional)

		
PFA130	PFA150	PFA151

Dahua Technology Co., Ltd.

1199 BinAn Road, Binjiang District, Hangzhou, China

Tel: +86-571-87688883

Fax: +86-571-87688815

Email: overseas@dahuatech.com

www.dahuasecurity.com

*Design and specifications are subject to change without notice.

© 2014 Dahua Technology Co., Ltd.